

**White Knight**



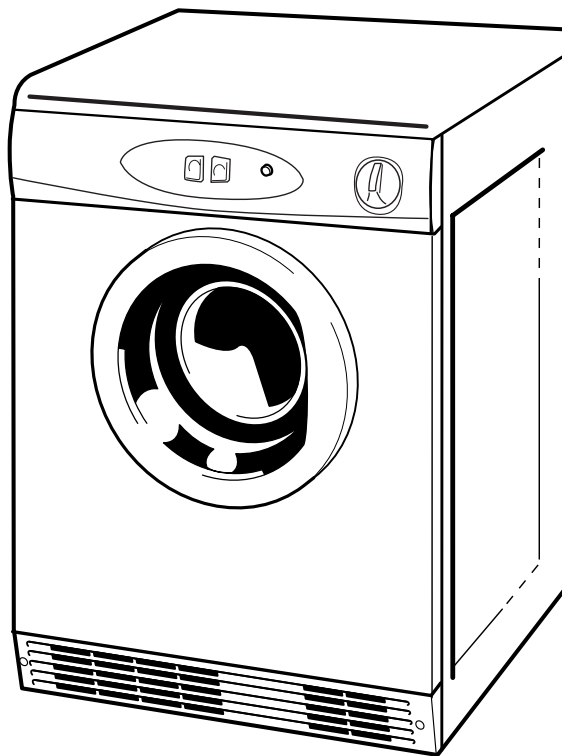
# SERVICE MANUAL

White Knight

Rotary Sensing Air Vented Dryer - UK

0312 83A 15000 - 83AW (White)

0312 83A 15300 - 83AS (Silver)



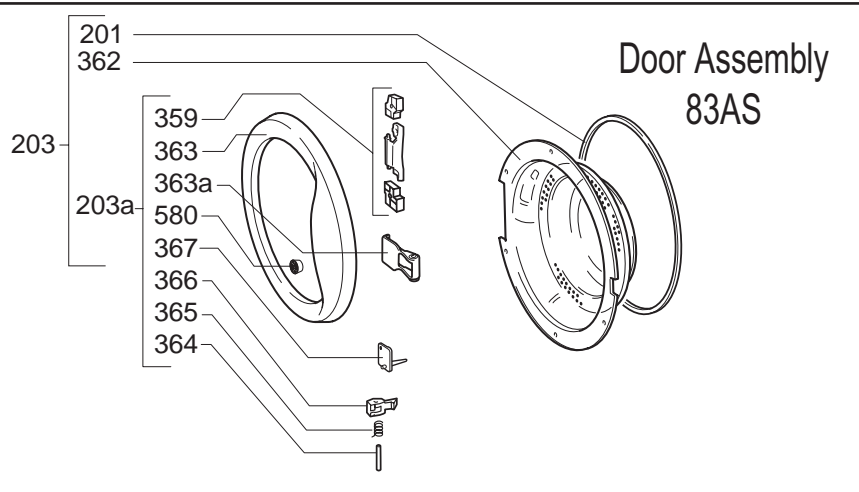
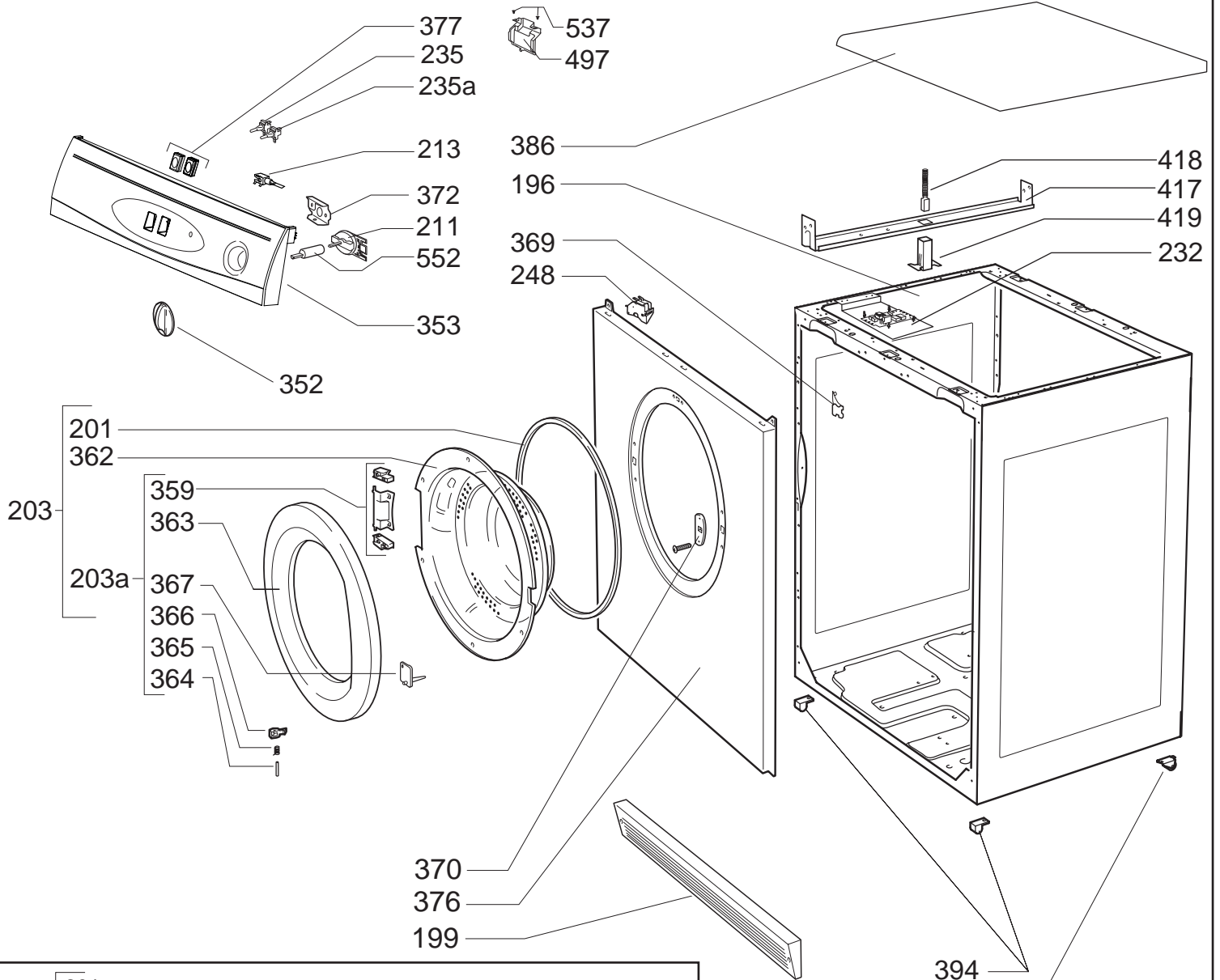
Wiring Diagram

Exploded Views

Parts List

October 2008

White Knight Rotary Sensing Air Vented Dryer - Exploded View 1

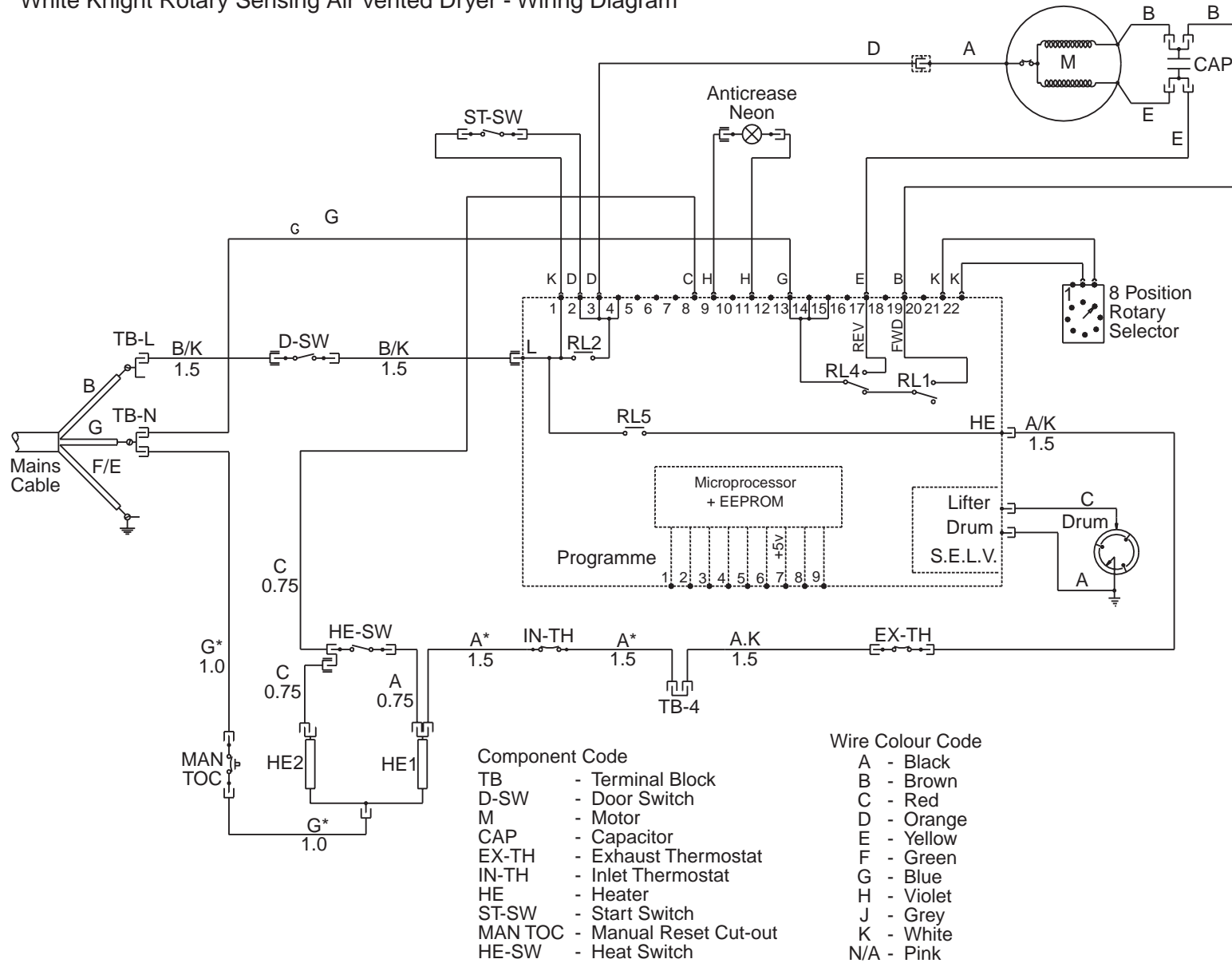








# White Knight Rotary Sensing Air Vented Dryer - Wiring Diagram



White Knight Rotary Sensing Air Vented Dryer - Parts List

Item	Description	Code	Expl.View
101	Motor & 8µf Capacitor Assembly	4213 092 25611	3
112	8µf Capacitor	4213 092 08091	3
125	Drive Belt	4213 092 18601	3
141	Mains Cable	4213 076 35123	3
142	Terminal Block	4213 078 44613	3
144	Earth Tab Assembly	4213 092 41181	3
<b>196</b>	<b>Cabinet Assembly - White</b>	<b>4213 092 43481</b>	<b>1</b>
<b>196</b>	<b>Cabinet Assembly - Silver</b>	<b>4213 092 36261</b>	<b>1</b>
<b>199</b>	<b>Plinth Assembly - White</b>	<b>4213 092 43491</b>	<b>1</b>
<b>199</b>	<b>Plinth Assembly - Silver</b>	<b>4213 092 38091</b>	<b>1</b>
201	Door Seal	4213 077 08344	1
<b>203</b>	<b>Full Door/Window Assembly - White</b>	<b>4213 092 45611</b>	<b>1</b>
<b>203</b>	<b>Full Door/Window Assembly - Silver</b>	<b>4213 092 36281</b>	<b>1</b>
<b>203a</b>	<b>Door Frame Assembly - White</b>	<b>4213 092 45621</b>	<b>1</b>
<b>203a</b>	<b>Door Frame Assembly - Silver</b>	<b>4213 092 36091</b>	<b>1</b>
211	Dreef 8 Position Rotary Switch	4213 078 54732	1
213	Anticrease Neon	4213 078 50401	1
227	Heater Assembly	4213 092 05521	3
<b>228</b>	<b>Heat TOC</b>	<b>4213 078 50161</b>	<b>3</b>
<b>228a</b>	<b>Heat TOC</b>	<b>4213 078 57371</b>	<b>3a</b>
229	Thermostat (exhaust)	4213 078 48373	2
<b>230</b>	<b>Thermostat (inlet)</b>	<b>4213 078 56261</b>	<b>3</b>
<b>230a</b>	<b>Thermostat (inlet)</b>	<b>4213 078 57361</b>	<b>3a</b>
232	Programmed PCB	4213 078 56423	1
235	Rold Switch E1026	4213 078 52401	1
235a	Rold Switch E2037	4213 078 52762	1
248	Microswitch/Bracket Assembly	4213 092 05251	1 & 2
266	Drum Assembly	4213 092 25751	3
270	Drum Shaft/Bearing Kit	4213 092 05591	3
<b>352</b>	<b>Timer Knob Assembly - White</b>	<b>4213 092 45741</b>	<b>1</b>
<b>352</b>	<b>Timer Knob Assembly - Silver</b>	<b>4213 092 43331</b>	<b>1</b>
<b>353</b>	<b>Control Panel Assembly - White</b>	<b>4213 092 48731</b>	<b>1</b>
<b>353</b>	<b>Control Panel Assembly - Silver</b>	<b>4213 092 49711</b>	<b>1</b>
<b>359</b>	<b>Door Hinge Assembly - White</b>	<b>4213 092 26071</b>	<b>1</b>
<b>359</b>	<b>Door Hinge Assembly - Silver</b>	<b>4213 092 25361</b>	<b>1</b>
362	Window	4213 077 44095	1
<b>363</b>	<b>Door Frame - White</b>	<b>4213 092 45671</b>	<b>1</b>
<b>363</b>	<b>Door Frame - Silver</b>	<b>4213 077 82721</b>	<b>1</b>
<b>363a</b>	<b>Door Handle - Silver</b>	<b>4213 077 82861</b>	<b>1</b>
364	Latch Pivot	4213 075 13013	1
365	Latch Spring	4213 075 70833	1
366	Door Latch	4213 077 53413	1
367	Switch Strike	4213 077 83571	1
369	Loom Clip	4213 075 70941	1
370	Latch Guide	4213 077 40992	1
372	Timer Bracket	4213 070 10932	1
<b>376</b>	<b>Front Panel Assembly - White</b>	<b>4213 092 45681</b>	<b>1 &amp; 2</b>
<b>376</b>	<b>Front Panel Assembly - Silver</b>	<b>4213 092 36301</b>	<b>1 &amp; 2</b>

White Knight Rotary Sensing Air Vented Dryer - Parts List

377	Buttons Assembly - White	4213 092 45781	1
377	Buttons Assembly - Silver	4213 092 44871	1
386	Table Top Assembly - White	4213 092 46211	1
386	Table Top Assembly - Silver	4213 092 43371	1
390	Gasket	4213 074 50862	3
390a	Gasket	4213 092 45121	3a
393	Flex Support Clip	4213 077 40982	3
394	Foot	4213 077 39833	1
395	Heater Wires Clip	4213 075 70971	3
399	Heater Support	4213 080 06619	3
400	Heater Plate	4213 080 14551	3
402	Access Panel	4213 080 06558	3
403	Roller Assembly	4213 092 35651	1
408	Cable Clamp	4213 077 47303	3
413	Back Panel Assembly	4213 092 37601	3
417	Brush Holder Support RH	4213 070 12773	1
418	Brush Assembly	4213 078 45023	1
419	Brush Holder	4213 077 39503	1
427	Motor Spring Clip	4213 078 45362	3
432	Motor Mount Bracket	4213 080 0675A	3
437	Extendable Rear Vent Assembly (short)	0312 002 01000	2 & 3
438	Slip Ring Assembly	4213 092 05731	3
439	Sensing Strip Assembly	4213 092 05691	3
440	Banjo Assembly	4213 092 17811	2
441	Front Bearing (short)	4213 077 40952	2
442	Front Seal	4213 077 40942	2
444	Lifter	4213 077 41248	3
445	Front Bearing (long)	4213 077 40962	2
445a	Bearing Pads & Brush Seal Kit	4213 092 21171	2
446	Fan	4213 077 40896	2 & 3
447	Access Cover Assembly	4213 092 18081	2 & 3
448	Spring Clip (Fan)	4213 075 71162	2 & 3
454	Filter	4213 092 18351	2
456	Banjo Seal	4213 077 07991	2
458	Banjo Insert No 2	4213 077 53502	2
459	Banjo Insert No 1	4213 077 53492	2
463	Location Grommet	4213 077 07711	3
464	Slip Ring Insulator	4213 077 41253	3
465	Slip Ring	4213 075 13141	3
466	Ring Spring	4213 075 70931	3
467	Sensing Strip	4213 075 13152	3
468	Sensing Strip Clip	4213 077 41176	3
477	Ring Spring Plug	4213 074 81353	3
497	Switch Cover	4213 077 62892	1
537	W' Button Plug	4213 078 26321	1
552	Timer Shaft Extension	4213 077 59953	1

**Not Shown On Exploded Views**

Loom Assembly	4213 076 58143
User Instruction Booklet	4213 094 99652

**We are in the process of developing a new Heat TOC and Inlet thermostat design to avoid nuisance operations. Tumble dryers with the following serial numbers have been fitted with the improved combination of thermostats, and have had removed the black open-bladed Heat TOC ( see - exploded view 2, item 288 ) and Inlet thermostat (see - exploded view 2, item 230).**

**To identify these machines, they will have serial numbers -  
From 0840 250925 to 0840 250998**

**The improved design uses both a new Inlet thermostat and heat TOC combination. These must be used as a pair and is not to be swapped with existing parts, or used**



White Knight Rotary Sensing Air Vented Dryer - Parts List

on dryers with the black open-bladed Heat TOC ( see exploded view 3a, item 228a)  
please order the correct new parts indicated by bold text in the parts list.

If the Heat TOC has tripped and needs to be reset, it can only be reset from inside the dryer, by removing the backpanel and depressing the small red button on the rear of the Heat TOC. If the Heat TOC has tripped, the most likely reason is that the Inlet thermostat has failed and must be replaced. Nuisance operation is most unlikely, always look for a cause.